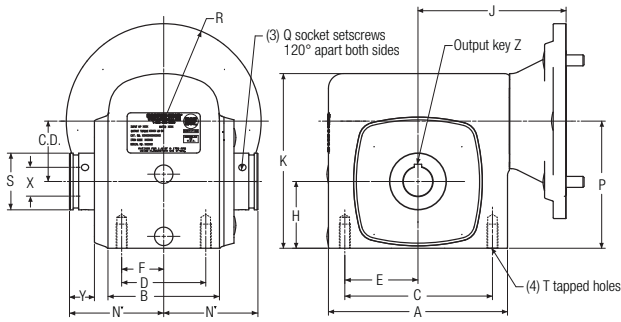
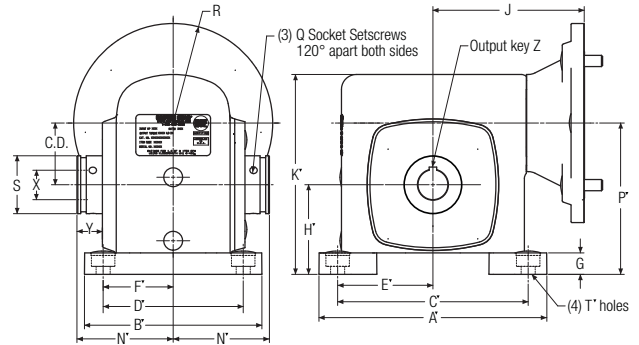


Dimensions

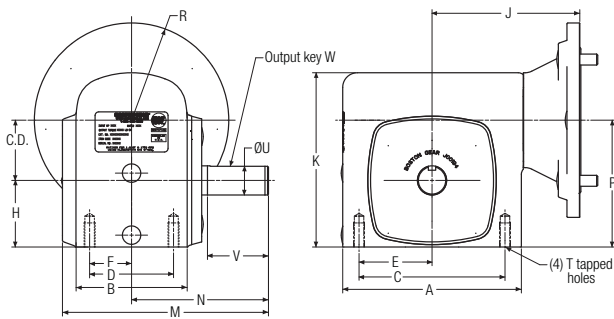
SSHF700 Hollow Shaft without Base



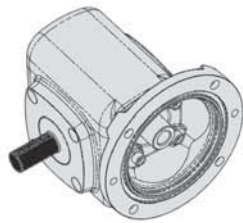
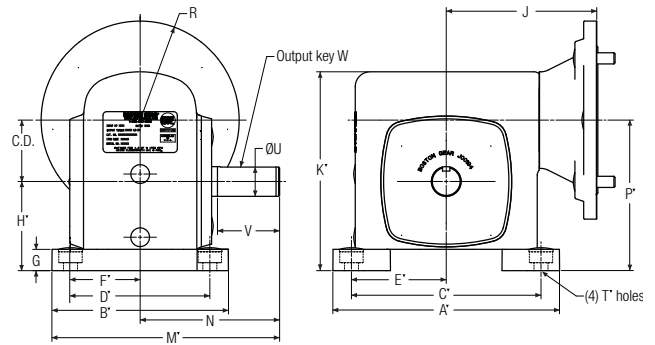
SSHF700 Hollow Shaft with Base



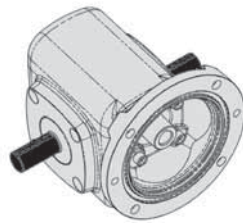
SSF700 GS Shaft without Base



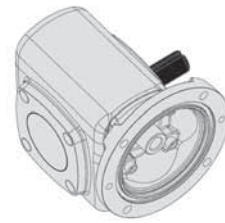
SSF700 GS Shaft with Base



GS



HS



JS

SIZE	C.D.	A	A'	B	B'	C	C'	D	D'	E	E'	F	F'
718	1.75	5.63	7.00	3.69	5.75	4.19	5.75	2.75	4.50	2.09	2.88	1.38	2.25
721	2.06	6.12	7.62	3.81	5.94	5.00	6.38	2.88	4.69	2.50	3.19	1.44	2.34
726	2.62	7.58	9.25	4.44	6.50	6.38	8.00	3.38	5.25	3.19	4.00	1.69	2.63
732	3.25	9.20	11.00	5.88	7.62	7.50	9.50	4.00	6.13	3.75	4.75	2.00	3.06

SIZE	G	H	H'	J	K	K'	M	M'	N	N'	P	P'	Q
718	0.69	2.06	2.75	4.69	5.31	6.00	6.74	7.19	4.31	3.03	3.81	4.50	#10-32
721	0.72	2.28	3.00	5.06	5.97	6.69	7.09	7.66	4.69	3.22	4.34	5.06	1/4-28
726	0.75	2.94	3.69	5.75	7.50	8.25	8.33	8.87	5.63	3.44	5.56	6.31	5/16-24
732	0.88	3.50	4.38	6.56	9.25	10.13	10.49	10.99	7.06	4.31	6.75	7.63	5/16-24

SIZE	R	S	T	T' C'Bore / Hole Dias.	U	V	W	X	Y	Approx Z SSF700	Approx Weight SSHF700	Approx Weight SSF700B	Approx Weight SSHF700B	Weight
718	3.33	1.38	5/16-18	.60/.41	0.875	1.78	3/16 x 1 lg	*	0.60	*	22	25	25	28
721	3.33	2.00	3/8-16	.78/.47	1.000	2.09	1/4 x 1-1/4 lg	*	0.82	*	27	30	30	33
726	3.33	2.50	3/8-16	.78/.53	1.125	2.63	1/4 x 1-15/16 lg	*	0.73	*	40	47	43.5	50.5
732	3.33	2.88	7/16-14	.78/.53	1.375	3.25	5/16 x 2-7/16	*	0.89	*	63	76	70	83

* Refer to H Series hollow output bore size chart in Gear Drive catalog P-1485-BG (#82545).